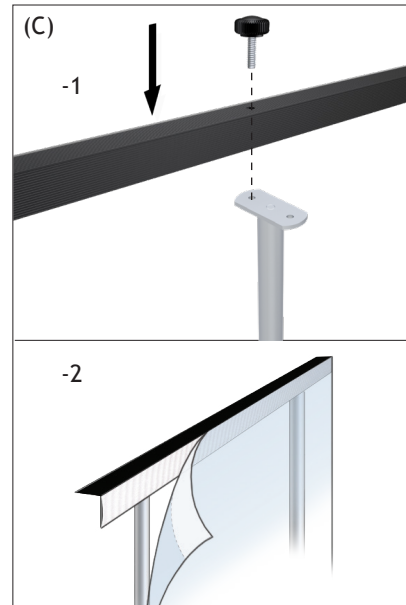
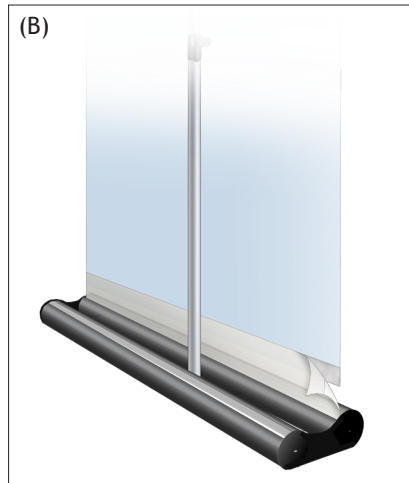
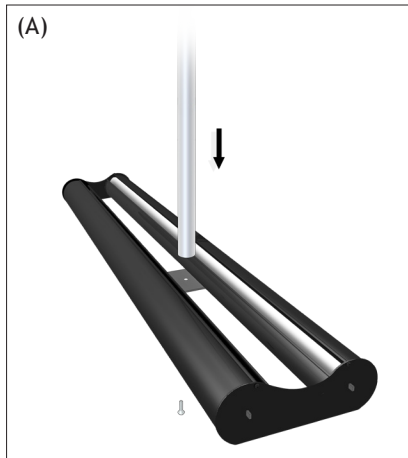


Banner Stands (Mercury™)

1. Mount pole onto base using flathead screw (fig. A).
2. Attach banner to retractable vinyl with Velcro hook and loop (fig. B).
3. Use knob to secure top in place (fig. C-1) and attach banners (fig. C-2).
4. Repeat steps 2 and 3 for second graphic.

If Textile: Top & Bottom: Use the pressure sensitive adhesive backing on the Velcro to put squarely onto graphic and then sew.

If Paper: Top: Attach supplied Velcro squarely to top of graphic with pressure sensitive adhesive supplied.
Bottom: Attach supplied Velcro to bottom the same way, but reinforce with industrial packing tape for a smooth finish (helps guard against unwanted binding).



Applicable Products:

RY-2, RY-4, RY-10

